

MAKO M24 CC | THRU-HULL INTERCHANGEABLE

Signature
 SERIES



The all new MAKO M24 interchangeable Colour Changing underwater light offers unrivaled performance producing 7800 fixture lumens, almost unlimited mounting options thanks to the ultra low profile bezel and compact body design.

Thru Hull mounting provides an exceptionally safe and secure fixing with the added benefit of a removable LED cartridge that can be serviced or upgraded from inside the hull eliminating the need to haul the boat.

Almost unlimited Colour options which can be strobed, dimmed or sequenced allowing you to pick the best colour to compliment your environment, suit your mood or create a custom party theme with our light to sound function.

Reverse polarity protection with active thermal rollback.

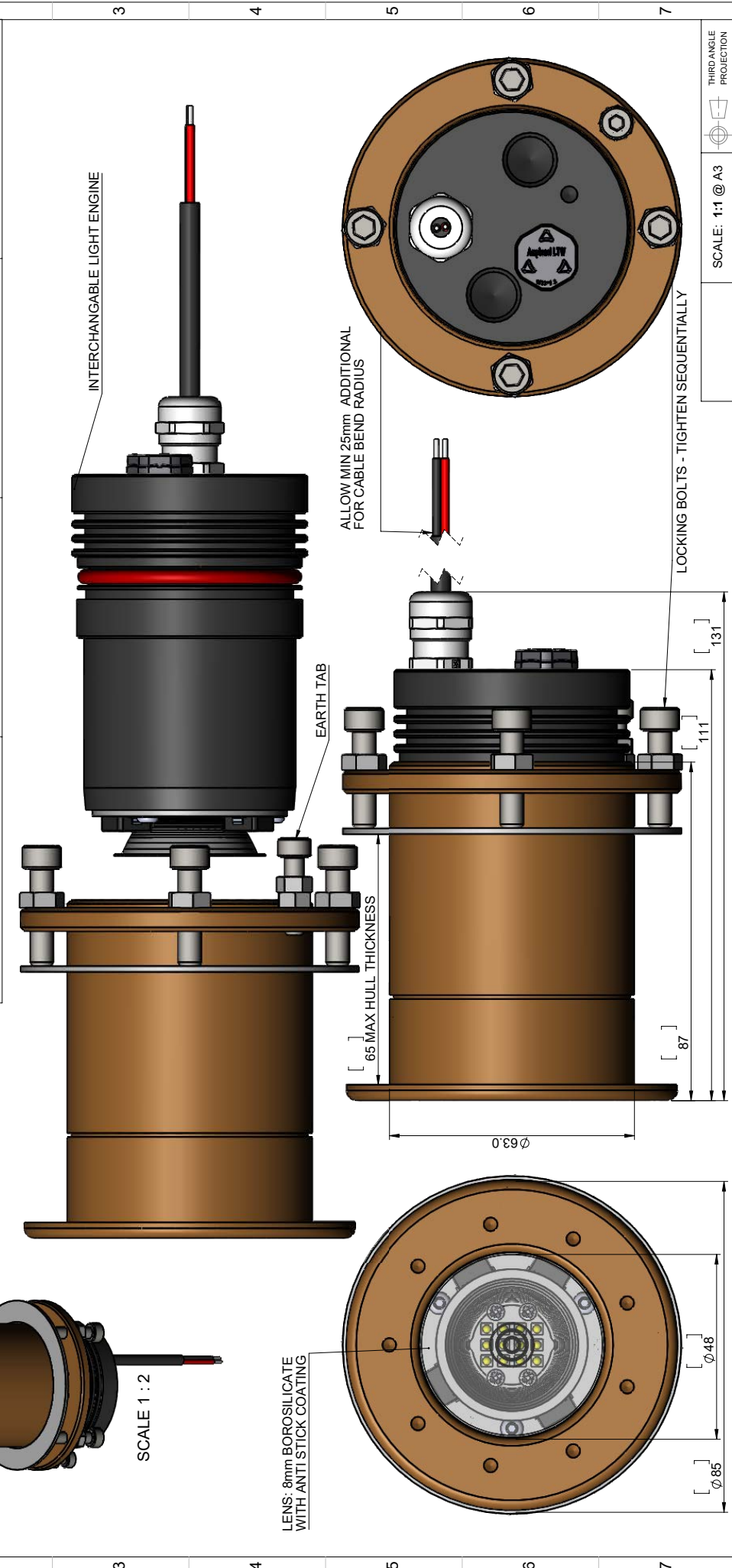
Suitable for transom, side and under hull mounting on all types of hull.

- RINA Type approval
- 2-Year Warranty

SPECIFICATION	MAKO M24 CC COLOUR CHANGE
Mounting Type	Thru-Hull Interchangeable
Hole cut out size	63mm
Maximum Lamp Lumens	9000
Fixture Lumens	7800
Max Wattage	65 watts
Typical Life Expectancy	50,000 hours
Voltage	12 / 24v Multi-voltage
Power Draw	5.1 Amps @ 12v / 2.6 Amps @ 24v
Protection	Over / Under Voltage, Over Current, Reverse Polarity protection, Thermal protection.
Fixture Profile	4mm
Fixture Diameter	85mm
Lens Type	Optical grade 8mm Borosilicate glass with Guard X coating
Fixture Material	AB2 Bronze with aluminium light engine cartridge
Beam Angle	60 Degree
Warranty	2 year
Type Approval	RINA IEC 60529
Available Colours	RGBW Colour change
Features	Endless colours, cycling, strobe, dimmer or sound to light
Suitable Use	Below the water-line only
Spacing	1.2 - 2mtr
Driver Type	External IP67 Plug and play remote box with DMX/WIFI control Must purchase the WIFI/DMX Controller for functions
Total weight	2.5 kg
Attached cable length	2 mtr Plug & play
Included in box	WIFI /DMX Driver box IP67, In-line fuse holder & rated fuse, Inline Crimps, Heat shrink, Template and installation instructions
ACCESSORIES	(OPTIONAL)
Junction Box	4 Way IP68 Wiring Junction Box
Delrin Sleeve	Isolating kit for steel, aluminium and carbon fibre hulls
220/110v Power Supply	Power supply 24v
WIFI/DMX Controller	DMX controller with built in WIFI and phone/tablet app download
I.Y.S Lighting Control	Control via MFD screen or mobile device



SPECIFICATION	
M12	M24CC
7000	8500
70	65
5 Amps @ 12V	5 Amps @ 12V
2.6 Amps @ 24V	2.6 Amps @ 24V
12	24
60 DEG FWHM	60 DEG FWHM
85mm 3.35"	85mm 3.35"
40mm 0.16"	40mm 0.16"
130mm 5.15"	130mm 5.15"
N/A	N/A
63mm 2.48"	63mm 2.48"
48mm 1.89"	48mm 1.89"
2.5kg	4.5kg
8mm BOROSILICATE WITH ANTI-STICK COATING	8mm BOROSILICATE WITH ANTI-STICK COATING
150mm 5.91"	150mm 5.91"



DESCRIPTION: MAKO M12 / M24CC / M24HI THRU HULL	
MATERIAL: MARINE AB2 BRONZE & GLASS LENS, ALUMINIUM INSERT	
FINISH: SEE PART DRAWINGS	
DRAWING NO: GAB-0117 Iss A00C	ISSUE/REV: STATUS: A00 C

Bluefin LED
Underwater Lighting

PLEASE CONTACT US FOR THE LATEST INFORMATION ON PRODUCTS AND SERVICES. THIS DRAWING IS FOR INFORMATION ONLY AND IS NOT TO BE USED FOR CONSTRUCTION. THE DRAWING IS THE PROPERTY OF BLUEFIN LED AND MAY NOT BE REPRODUCED OR TRANSMITTED IN ANY FORM OR BY ANY MEANS, ELECTRONIC OR MECHANICAL, INCLUDING PHOTOCOPYING, RECORDING, OR BY ANY INFORMATION STORAGE AND RETRIEVAL SYSTEM. PART AND MAY NOT BE USED OR DISCLOSED WITHOUT THE WRITTEN AUTHORIZATION OF BLUEFIN LED. NO DEVIATION FROM THIS DRAWING IS PERMISSIBLE WITHOUT WRITTEN AUTHORIZATION FROM BLUEFIN LED.